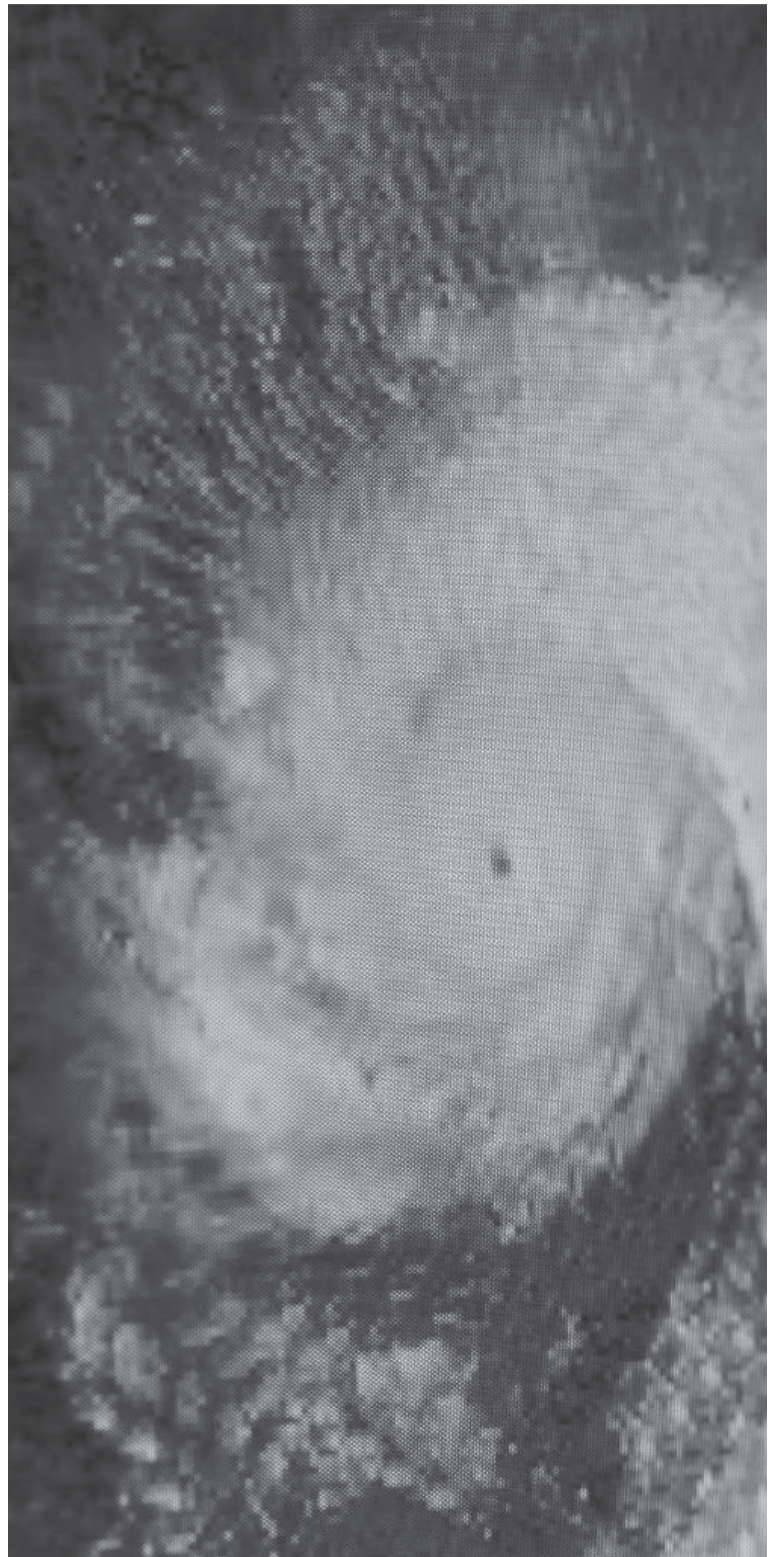




STORM PROTECTION PRODUCTS
**STORM PANEL DECORATIVE
STORAGE UNIT**
Assembly and Installation Instructions



IMPORTANT NOTICE!

Read the enclosed instructions carefully before installing the Fabric-Shield® Storm Panel Decorative Storage Unit. Pay close attention to all warnings and notes. This manual should be retained for future reference. Fabric-Shield® Storm Panel Decorative Storage Unit is designed for Fabric-Shield® Storm Panel with 2-1/4" reinforced edge.

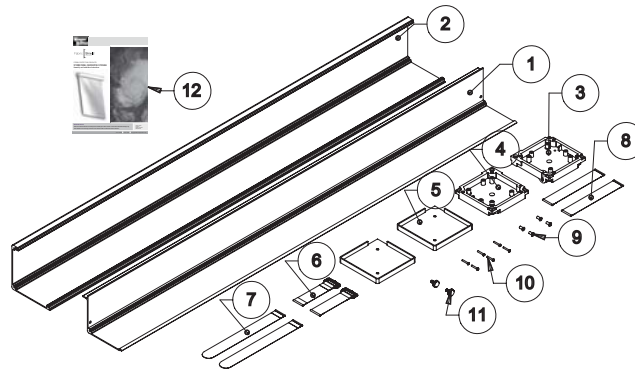
Wayne Dalton
P.O. Box 67
Mt. Hope, OH 44660

Table of Contents

	Page
Package Contents.....	2
Additional Required Materials (supplied by others).....	2
Required Tools.....	2
Assembly Instructions.....	4-5
Installation.....	6-11
Operation.....	11
Cleaning, Maintenance and Storage.....	11
Warranty.....	12
Customer Service Number.....	12

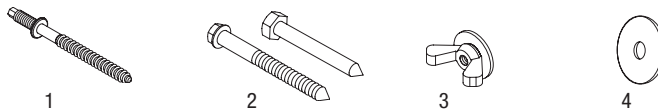
Package Contents:

1. Back Cover
2. Front Cover
3. Left-handed Gear Plate
4. Right-handed Gear Plate
5. Decorative Endplates
6. (2) Short Velcro Straps (with pin)
7. (2) Long Velcro Straps (with pin)
8. (2) Connection Velcro Straps (with pins)
9. (4) #8x3/8" Flathead Screws
10. (6) #8x3/4" Pan Head Screws
11. (2) #8 Round Knobs
12. Installation Instruction Manual



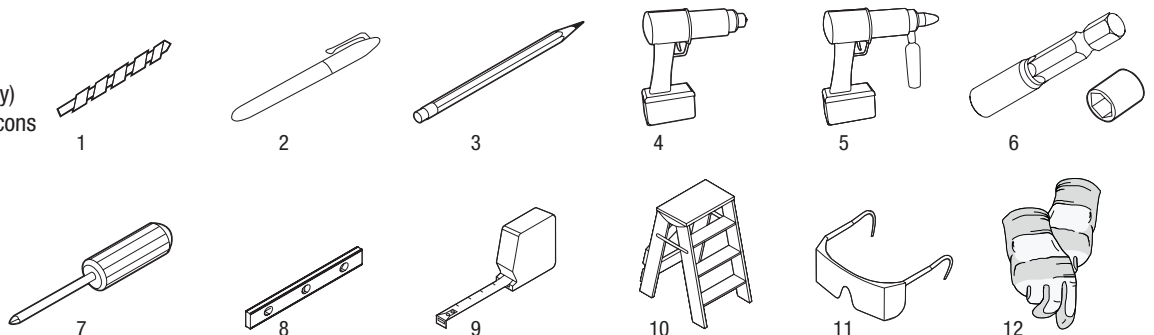
Additional Required Materials (supplied by others):

1. 1/4-20 PanelMate fasteners of appropriate length to penetrate your homes exterior veneer and into the substrate.
2. 1/4-20 Tapcons or lag bolts of appropriate length to penetrate your homes exterior veneer and into the substrate. If a specific fastener is not available at your local retailer, contact your local building supplier.
3. 1/4-20 Washered Wingnuts
4. 1/4 Stainless Steel Fender Washers



Required Tools:

1. Drill bits: 1/8" bit for wood, 7/32" bit for concrete, 3/16" bit for hollow block, or 5/16" bit for aluminum
2. Permanent Marker
3. Pencil or Pen
4. Electric Drill (for wood)
5. Electric Hammer Drill (for masonry)
6. Drive Sockets for Panelmate, Tapcons (or lag bolts)
7. Phillips Tip Screwdriver
8. Level
9. Tape Measure
10. Step Ladder
11. Safety Glasses
12. Gloves



SAFETY INFORMATION

DEFINITION OF SYMBOL



INDICATES A POTENTIALLY HAZARDOUS SITUATION WHICH, IF NOT AVOIDED, COULD RESULT IN SEVERE OR FATAL

Warning

Important Notice:

Hurricanes, tornadoes and other high wind events are capable of producing substantial destructive forces. Hurricane protection products, including Fabric-Shield®, will not withstand all foreseeable impacts and pressures. The use of hurricane protection products, including Fabric-Shield®, do not eliminate the risk of property damage, bodily injury or death during hurricanes, tornadoes and other high wind events. You should obey and follow all evacuation and safety related orders and recommendations issued by governmental authorities. If you are unable to evacuate, take shelter away from openings and outer walls in an interior hallway or room to reduce the likelihood of occupants being struck by flying debris entering the walls, roof or openings. Building permits are required in most localities for installation of hurricane protection products. Contact the local Building Department Authorities in your location to determine if you must obtain a permit before installing any hurricane protection product, including Fabric-Shield®.

Fabric-Shield® is approved for use outside the High Velocity Hurricane Zone, defined as Miami-Dade and Broward counties by the Florida Building Code. Fabric-Shield® does qualify for use in Wind Zone IV (> 140 mph) as a non-porous system.

Fabric-Shield® products are designed to reduce rapid internal pressurization that can contribute to structural collapse resulting from the loss of a window, door or other opening in the structure. Contact of the hurricane protection product with the element being protected (windows/doors), or pressure failures of existing openings resulting from hurricane force winds are common occurrences. Breaking of glazing or failure of other components being covered (windows/doors) due to hurricane force winds, does not constitute a failure of the Fabric-Shield® system.

Proper installation of the Fabric-Shield® product is necessary to ensure product performance. Every assembly and installation is different (windload, structural support, etc.). The purchaser and installer must determine that this product and its installation comply with all state and local building codes and requirements for hurricane protection devices for their particular location. The purchaser and installer should consult with the supplier of the hurricane protection product or an experienced contractor, architect or structural engineer prior to the assembly and installation of any Wayne-Dalton Corp. storm protection product. Installations shall conform to the installation documents provided with the product by Wayne-Dalton Corp., at the time of purchase. Replacement documents are available from Wayne-Dalton Corp's Customer Service Department. Current approved installation documents can be obtained on the websites of the Texas Department of Insurance (www.tdi.state.tx.us), and the Florida Building Code (www.floridabuilding.org). The purchaser and installer are responsible for evaluating the structure's ability to support the superimposed loads and suitability of substructure receiving the fasteners for the storm protection product. Wayne-Dalton Corp. disclaims any responsibility for determining compliance with state and local building codes and requirements for the purchaser's location and the post-manufacture assembly/ installation of Wayne-Dalton Corp. storm protection products.

PRODUCT COMPLIANCE:

Wayne Dalton Fabric-Shield® Storm Panel have been evaluated and approved by the following:

Fabric-Shield® panels have been tested, evaluated and approved:

- International Building Code (Windborne Debris Regions > 140 mph):
- Florida Building Code (Windborne Debris Regions > 140 mph)
- Texas Dept. of Insurance (All Windborne Debris Regions)

Large Missile Testing:

- Florida Building Code TAS 201(Large Missile)
- ASTM E 1886/E 1996 (Missile Type "D")

Static and Cyclic Pressure Testing:

- Florida Building Code TAS 202 (Static Pressure), TAS 203 (1342 Cycles)
- ASTM E 1886/E 1996 (9000) Cycles
- ASTM E 330 (Static Pressure)

Design Pressure +62/-66 PSF

INSTALLATION SAFETY INSTRUCTIONS



INCORRECT INSTALLATION CAN LEAD TO SEVERE OR FATAL INJURY. FOLLOW THESE INSTRUCTIONS CAREFULLY.

Important Notice:

Wayne-Dalton Corp. cannot accept responsibility for determining compliance of this product and/or its installation with any codes and/or regulations enforced in your area.

1. Before installing this product, READ and FOLLOW all installation instructions fully so you are aware of all of the functions and features..
2. Using ladders and/or scaffolding and working at elevated levels may be hazardous. Follow equipment manufacturer's instructions for safe operation. Use extreme caution when working around window and door openings. Falling from a ladder or an opening may result in severe or fatal injury.
3. Wear eye protection when using tools to install, repair, or adjust the product to prevent eye injuries. Improper use of hand/power tools could result in personal injury and/or product damage. Follow manufacturer's instructions for safe operation of equipment.
4. Product should be installed prior to a storm. Always be aware of local forecasts.
5. Wind-borne debris may break glass. Stay away from glass during a storm.
6. Steel fasteners will corrode rapidly when used with ACQ Pressure Treated Lumber. Obtain and use the appropriate size stainless steel screws to fasten unit to any rough opening made from ACQ Pressure Treated Lumber. Failure to use stainless steel fasteners may result in fastener corrosion causing product failure.
7. Wear protective gloves to install, repair, or adjust product, to avoid hand injuries.
8. Pay close attention to all warnings, notices, and notes in these instructions.
9. Openings covered with this product cannot be used for an escape exit.
10. Wayne-Dalton disclaims any responsibility for the use of any fasteners other than those shown on the Florida Building Commission product approvals.

Understanding The Construction

Before you begin your project, it is best to first review the materials used in your homes construction. Is the underlying material made from wood, concrete or hollow block? Knowing this basic information will help you to consider the placement of your fasteners.

Typical wood framing around windows and doors, may limit where fasteners can be placed around the framing of the opening. With masonry however, you have continuous material around the openings allowing more choices. By knowing this you can determine how you want to orient the fasteners, running along the sides or along the top and bottom. The window casings should be examined next. Many windows are recessed and have an extended sill. Others do not have a sill. While a number of windows are flush to the wall or can even protrude past the wall. This information will help you consider how much over-lap around the window you may allow and the length of the panel.

When you examine your windows, check if shutters may be in the way and will need to be relocated. Also, look for down spouts or other items that may interfere as well.

During your inspection, note the construction of door casings around entry, patio and French doors and how they are installed into the framing. There are times when a door frame will be adjacent to a wall and may not allow a direct mounting of the panel.

Finally, take note of your exterior siding. There are many different types of siding with combinations of framing. Brick, Wood, Vinyl, Hard Panel, Stucco and EFIS (Exterior Insulation & Finish Systems) are all popular types. These materials all create different wall thickness. Knowing the thickness of your walls and where you plan to attach your fasteners will determine how long and what type of fastener you will need. Fasteners must penetrate or imbed into the wall framing (wood, block, or concrete) to provide a proper anchor. If the fastener only penetrates the exterior, there will not be enough hold-ing power for the panel to provide adequate protection during a storm.

If you are unsure of the exterior, you may want to drill an inspection hole in an incon-spicuous spot that will not be exposed to the elements, such as under a piece of trim. Be sure to properly caulk the hole when done.

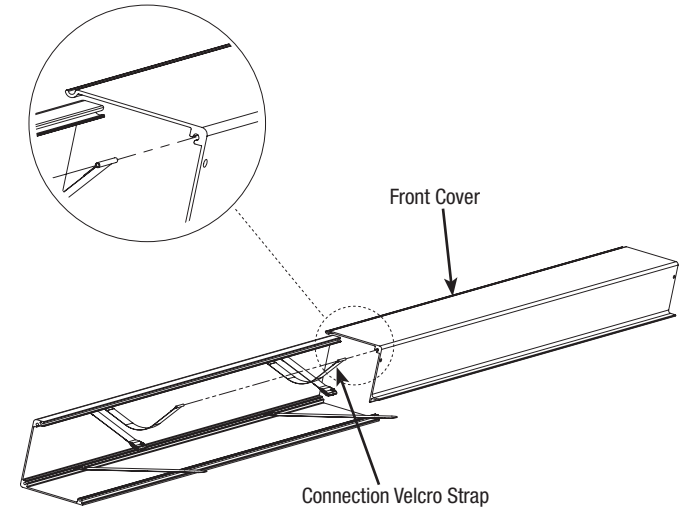
Careful initial planning will reduce installation time and material waste.

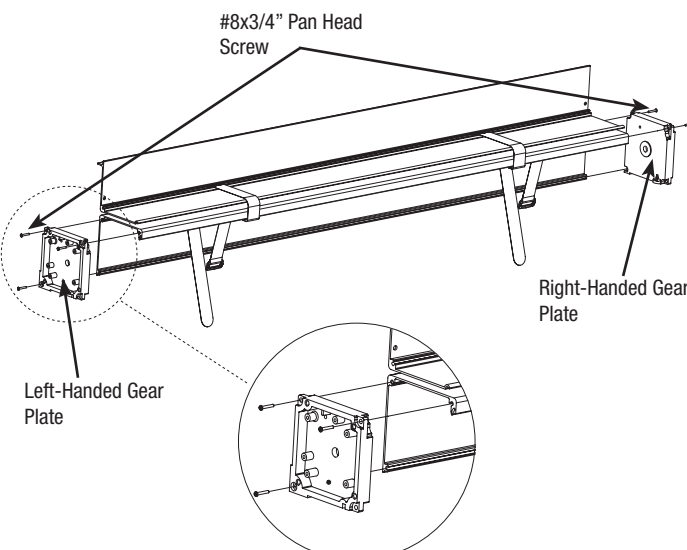
Assembly

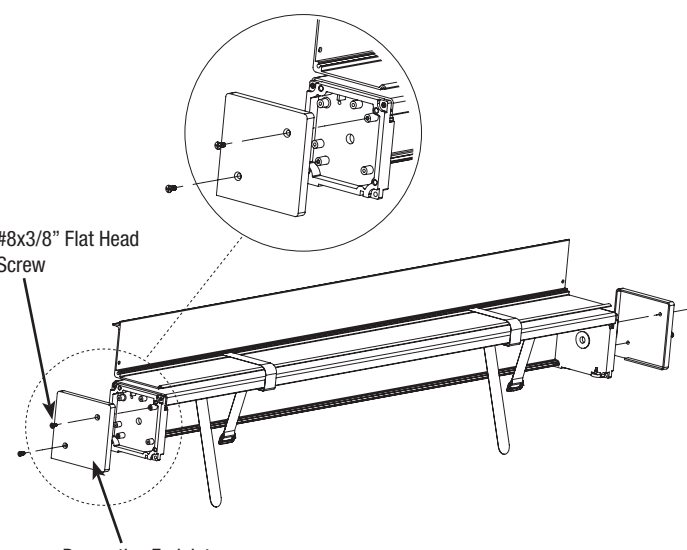
1	Assembly Layout	
<p>Tools Needed: None</p>	<p>Lay out the storm panel decorative storage unit parts along with the storm panel on a clean surface (drop cloth, paper or cardboard).</p>	

2	Attach Velcro	
<p>Tools Needed: Tape Measure</p>	<p>Slide two long velcro straps into the back cover as shown.</p> <p>Then slide one short velcro strap, two connection velcro straps and another short velcro strap into the back cover as shown. Adjust their positions according to the shown dimensions.</p>	

--	--

3	Assemble Front and Back Cover	
<p>Tools Needed: None</p>	<p>Slide the free ends of the connection velcro straps into the front cover as shown.</p>	

4	Attach Gear Plates	
<p>Tools Needed: Screwdriver</p>	<p>Insert the left-hand and right-hand gear plates into the back cover as shown. Secure each gear plate with three #8x3/4" pan head screws.</p>	

5	Secure Decorative Endplates	
<p>Tools Needed: Phillips Tip Screwdriver</p>	<p>Place one decorative endplate onto the gear plate at each end with appropriate orientation as shown. Secure with two #8x3/8" flathead screws at each end.</p>	

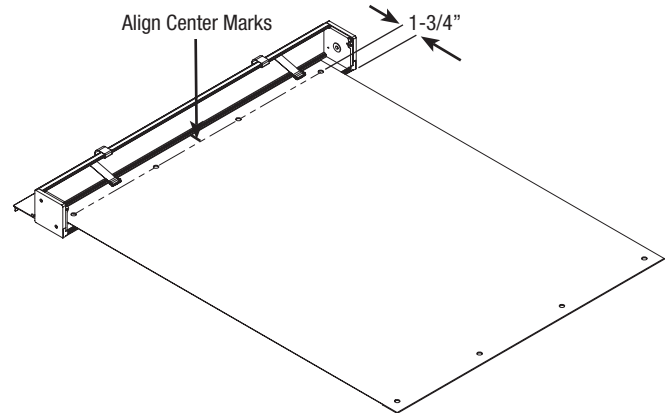
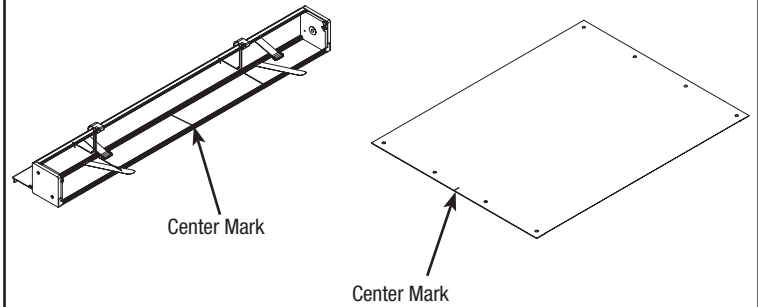
6

Mark and Align

Tools Needed:
Pencil or Pen
Tape Measure

Mark the centers of the decorative storage unit and the top of the storm panel.

Lay the storm panel on the back cover of the decorative storage unit as shown. Ensure that the center marks are correctly aligned, and verify the distance between the holes and lower edge of the back cover is 1-3/4" (nominal).



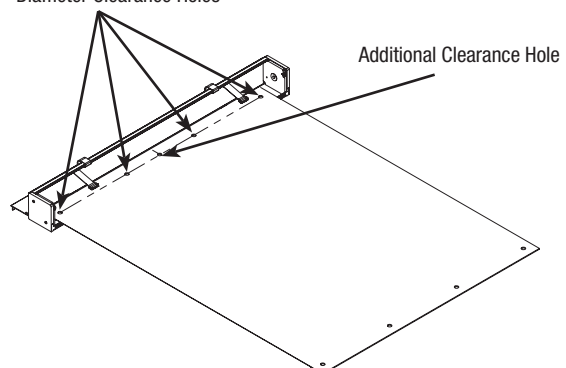
7

Mark and Drill

Tools Needed:
Electric Drill
Pencil or Pen
5/16" Drill Bit

Using the storm panel as a template, mark all holes. Remove the storm panel. Drill a 5/16" diameter clearance hole through the back cover at each marked location. Drill an additional clearance hole near the center of the back cover but away from the clearance holes as shown.

Mark and Drill 5/16" Diameter Clearance Holes



8

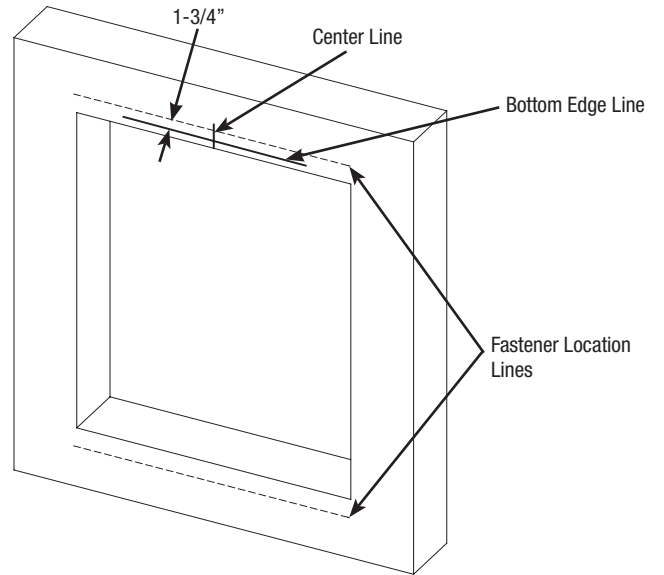
Locate and Center

Tools Needed:
Pencil or Pen
Tape Measure

Important! Ensure all fasteners are securely attached to structural members.

Identify fastener edge distance line on the top and bottom of the opening. (For proper edge distances refer to the Storm Panel main installation instructions).

Locate the center of the opening and mark a vertical line with a pencil. Measure from the horizontal fastener edge distance line down 1-3/4" and mark a horizontal line, with the aid of a level, as the bottom edge line.



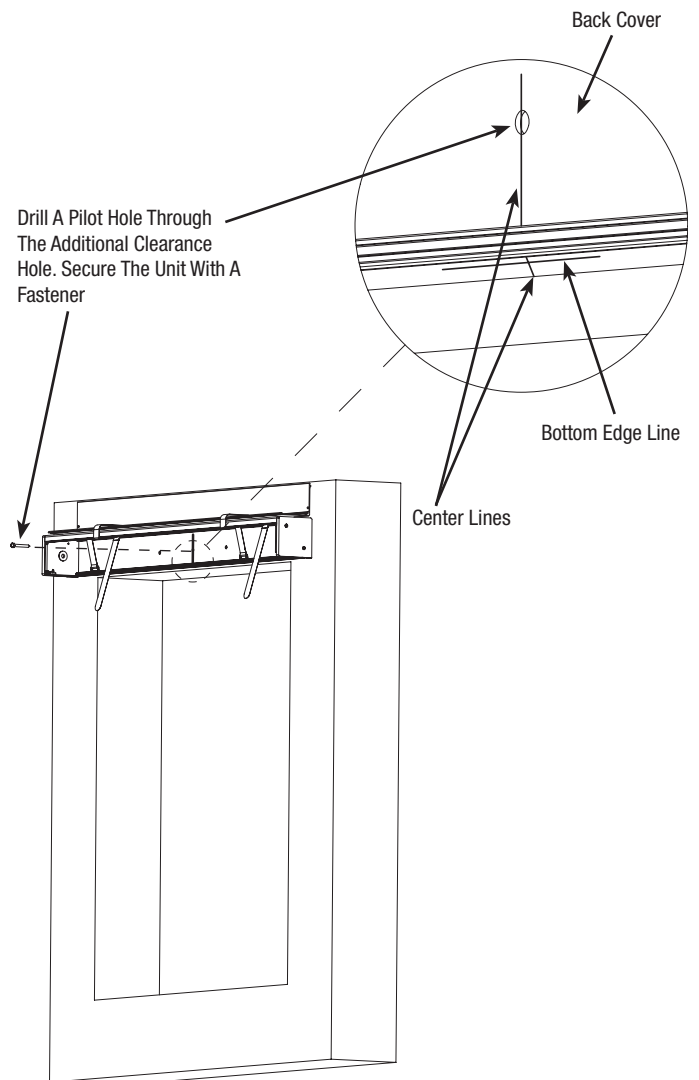
9

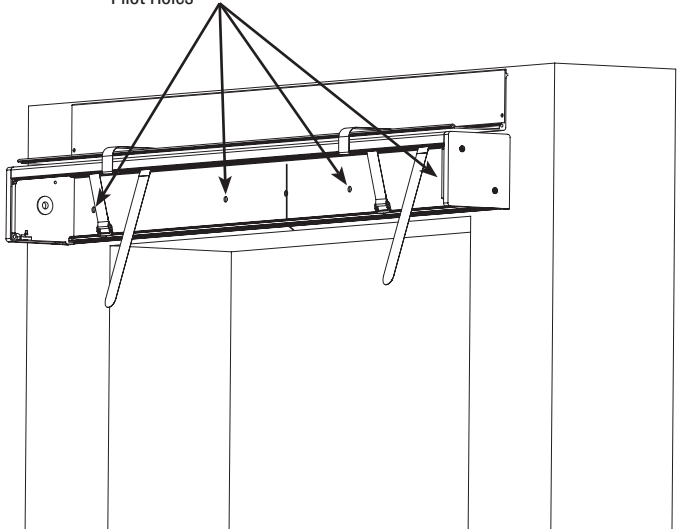
Level and Drill

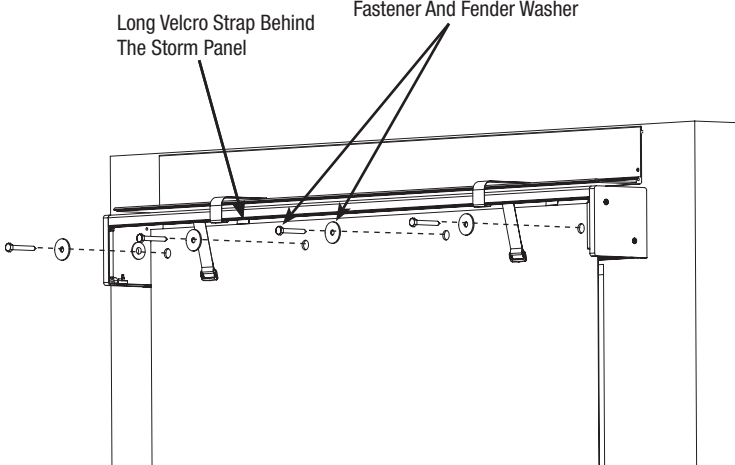
Tools Needed:
Pencil or Pen
Level
Electric Drill
1/8" Drill Bit for Wood
3/16" Drill Bit for Hollow Block or
7/32" Drill Bit for Concrete
Drive Socket

Align the bottom edge of the decorative storage unit with the bottom edge line and line up center marks. Hold the decorative storage unit flush against the opening and level. Drill a pilot hole 1/8" diameter for wood, 3/16" diameter for hollow block or 7/32" diameter for concrete, through the additional clearance hole on the back cover. Secure the decorative storage unit with one fastener (Tapcon or lag bolt) through this hole.

NOTE: If the wall surface is uneven, shims may be needed to keep the Back Cover from bending and preventing engagement of Front Cover.



10	Secure Canister	
<p>Tools Needed: Pencil or Pen Level Electric Drill 1/8" Drill Bit for Wood 3/16" Drill Bit for Hollow Block or 7/32" Drill Bit for Concrete Drive Socket</p>	<p>Using the back cover as a template, drill pilot holes, 1/8" diameter for wood, 3/16" diameter for hollow block or 7/32" diameter for concrete, through the rest of the clearance holes.</p>	<p style="text-align: center;">Drill The Rest Of The Pilot Holes</p> 

11	Hang and Secure Fabric Shield	
<p>Tools Needed: Electric Drill 1/4-20 Drive Socket</p>	<p>Locate the two long velcro straps behind the storm panel. Secure the Fabric Shield® and decorative storage unit with fasteners (Tapcon or Lag bolt) and fender washers as shown.</p>	<p style="text-align: center;">Long Velcro Strap Behind The Storm Panel Fastener And Fender Washer</p> 

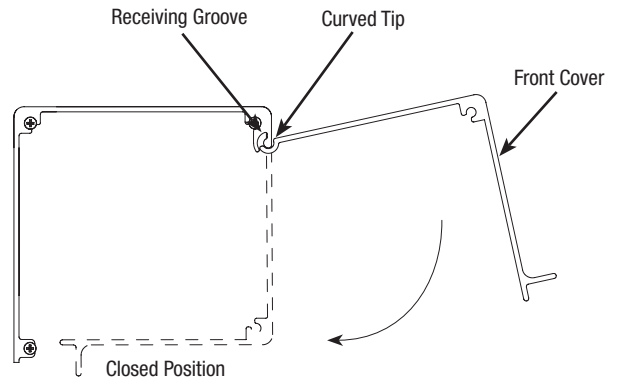
12

Close Cover

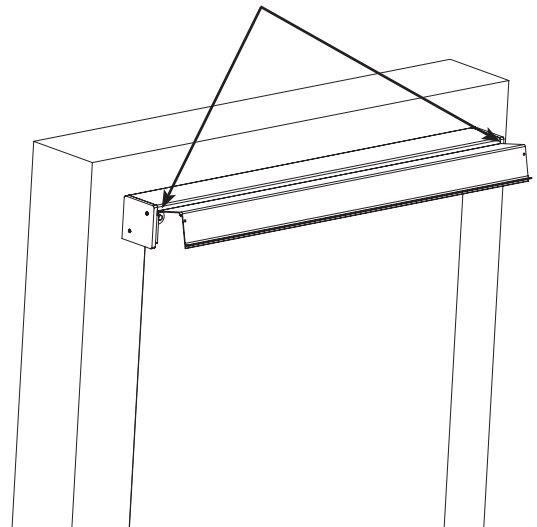
Tools Needed:
None

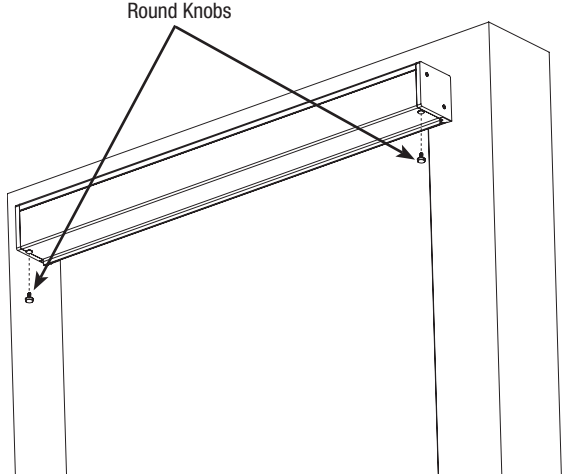
Hold the front cover in position as shown. Place the curved tip of the front cover in the receiving groove of the back cover and rotate the front cover to the closed position.

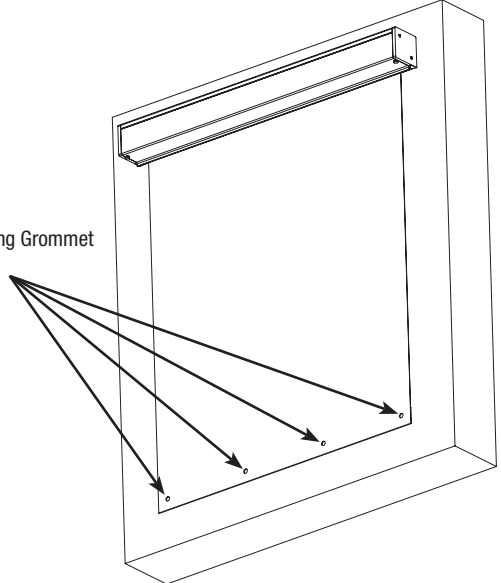
NOTE: It may be difficult to engage the front cover with the back cover if the decorative storage unit is mounted on an un-even surface. If this is the case, adjust the fasteners in the back cover slightly to help straighten out the back cover, and hold the front cover at both ends while rotating to the closed position.

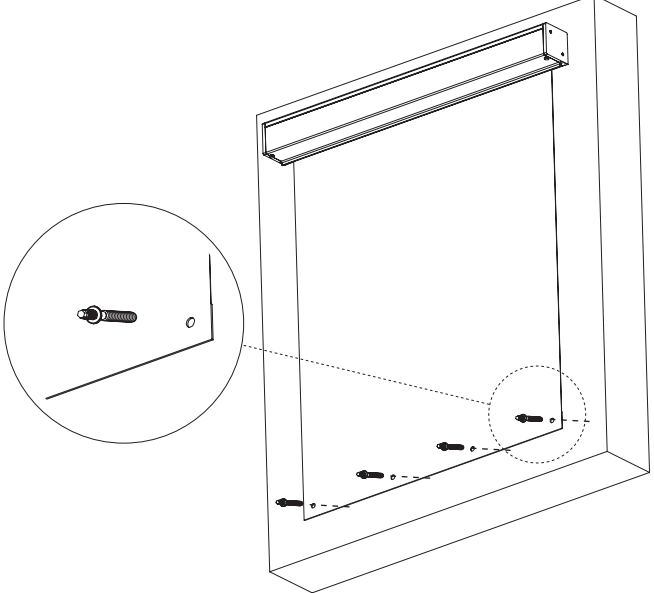


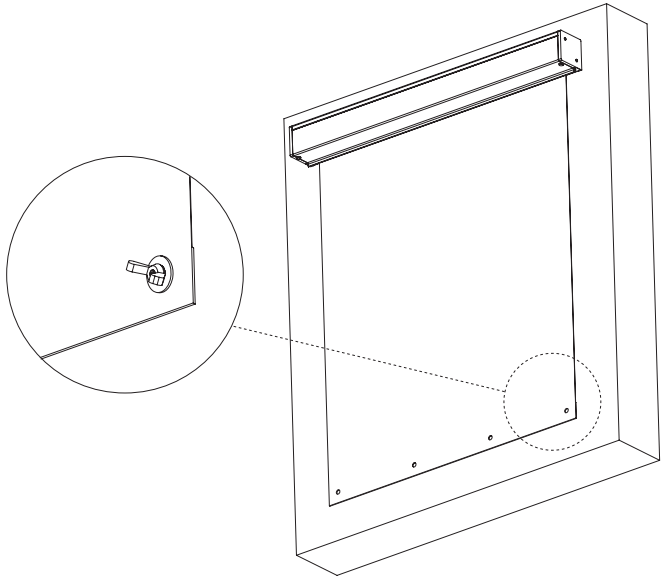
Hold The Curved Tips While
Turning The Front Cover



13	Secure Cover	
Tools Needed: None	Secure the front cover with a round knob at each end.	 <p>Round Knobs</p>

14	Pilot Drill	
Tools Needed: Electric Drill 1/8" Drill Bit for wood or .234" Drill Bit for Concrete	Using the storm panel as a template, mark the center of the holes through the grommets. Drill (1/8" diameter for wood and 0.234" diameter for concrete) pilot holes at each marked location.	 <p>Drill Pilot Holes Using Grommet Holes as Template</p>

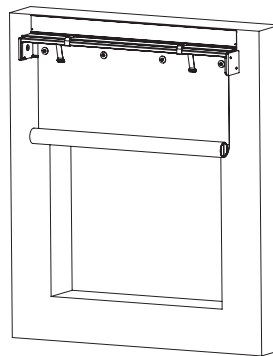
15	Set Fasteners	
Tools Needed: Electric Drill 1/4-20 Drive Socket	Drive PanelMate fasteners into the pilot holes with the 1/4-20 drive socket.	

16	Secure Panel	
Tools Needed: None	Screw wingnuts onto the PanelMate fasteners.	

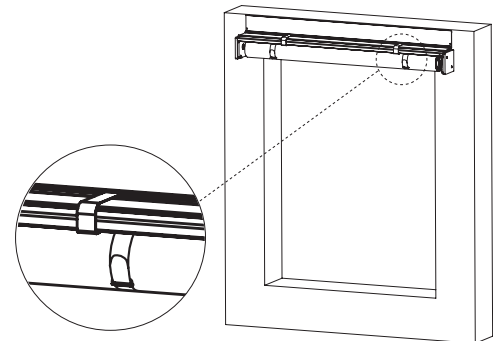
Operation

To store the storm panel in the decorative storage unit

1. Unscrew the wingnuts.
2. Remove the storm panel from the PanelMates.
3. Rotate the front cover up and set it on the top of the back cover.
4. Roll up the storm panel tightly with minimum telescoping at each end into the decorative storage unit. (refer to illustration 4 below)
5. Hold the storm panel tight in the decorative storage unit with velcro straps. (refer to illustration 5 below)
6. Repeat steps 12-13 under installation procedure.
7. Store the wingnuts in a suitable location.



4



5

To deploy the storm panel from the decorative storage unit

1. Unscrew the round knobs under the front cover.
2. Rotate the front cover up and set it on the top of the back cover.
3. Release the velcro straps holding the storm panel and let the storm panel roll down.
4. Engage the front cover into the back cover.
5. Screw in the round knobs.
6. Slide the storm panel over the PanelMates, through the grommet holes and secure storm panel with washered wingnuts.

Cleaning, Maintenance and Storage

- Make certain the product is clean and dry before storage.
- If product needs cleaning, use only soapy water and a clean sponge or rag. Do not use abrasive cleaners
- Lubricate wing nuts and studs with white lithium grease at least once a year. Additional applications of lubricant may be needed if the product is in a highly corrosive environment.
- Do not store wingnuts outside, on the stud, or in any type of a corrosive environment.

LIMITED WARRANTY

FABRIC SHIELD[®] and WISP[®] PRODUCTS

Wayne Dalton Corp. ("Manufacturer") warrants all storm protection products for a period of **FIVE (5) YEARS** from the date of installation, against defects in material and workmanship, subject to all the terms and conditions below.

This Limited Warranty is extended to the person(s) who purchased the product and owns the premises. This Limited Warranty is transferable to another person to whom the premises is sold and can only be used on the premise for which it was originally purchased and installed. As a result this Limited Warranty does NOT apply to any person who purchases the product originally from someone other than an authorized Wayne-Dalton dealer or distributor.

The Manufacturer will not be responsible for any damage attributable to improper storage, improper installation, or any alteration of the product or its components, abuse, damage from corrosive fumes or substances, fire, Acts of God, failure to properly maintain the product, or attempt to use the product, its components or related products for other than its intended purpose and its customary usage. This Limited Warranty does not cover ordinary wear. This Limited Warranty will be voided if any holes are drilled into the product, other than those specified by the Manufacturer.

THIS LIMITED WARRANTY COVERS A CONSUMER PRODUCT AS DEFINED BY THE MAGNUSON-MOSS ACT. NO WARRANTIES, EXPRESS OR IMPLIED (INCLUDING BUT NOT LIMITED TO THE WARRANTY OF MERCHANTABILITY OR FITNESS FOR A PARTICULAR PURPOSE) WILL EXTEND BEYOND THE TIME PERIOD SET FORTH IN **UNDERScoreD BOLD FACE TYPE** IN THIS LIMITED WARRANTY, ABOVE. Some States do not allow limitations on how long an implied warranty lasts, so the above limitations may not apply to you.

Any claim under this Limited Warranty must be made in writing, within the applicable warranty period, to the dealer from which the product was purchased. Unless the dealer is no longer in business, a written claim to the Manufacturer will be the same as if no claim had been made at all.

At the Manufacturer's option, pursuant to the dealer having notified the manufacturer of a warranty claim, a service representative may inspect the product on site, or Buyer may be required to return the product to the Manufacturer at Buyer's expense. Buyer agrees to cooperate with any representative of the Manufacturer and to give such representative full access to the product with the claimed defect and full access to the location of its installation.

If the Manufacturer determines that the claim is valid under the terms of this Limited Warranty, the Manufacturer will cause the defective product to be repaired or replaced. The decision about the manner in which the defect will be remedied will be at the discretion of the Manufacturer, subject to applicable law. **THE REMEDY WILL COVER ONLY MATERIAL. THIS LIMITED WARRANTY DOES NOT COVER OTHER CHARGES, SUCH AS FIELD SERVICE LABOR FOR REMOVAL, INSTALLATION, PAINTING, SHIPPING, ETC.**

Any repairs or replacements arranged by Manufacturer will be covered by (and subject to) the terms, conditions, limitations and exceptions of this Limited Warranty; *provided, however*, that the installation date for the repaired or replaced product will be deemed to be the date the original product was installed, and this Limited Warranty will expire at the same time as if there had been no defect. If a claim under this Limited Warranty is resolved in a manner other than described in the immediately preceding paragraph, then neither this Limited Warranty nor any other warranty from the Manufacturer will cover the repaired or replaced portion of the product.

THE REMEDIES FOR THE BUYER DESCRIBED IN THIS LIMITED WARRANTY ARE EXCLUSIVE and take the place of any other remedy. The liability of the Manufacturer, whether in contract or tort, under warranty, product liability, or otherwise, will not go beyond the Manufacturer's obligation to repair or replace, at its option, as described above. **THE MANUFACTURER WILL NOT UNDER ANY CIRCUMSTANCES BE LIABLE FOR SPECIAL, INCIDENTAL, OR CONSEQUENTIAL DAMAGES**, including (but not limited to) damage or loss of other property or equipment, personal injury, loss of profits or revenues, business or service interruptions, cost of capital, cost of purchase or replacement of other goods, or claims of third parties for any of the foregoing. Some States do not allow the exclusion or limitation of incidental or consequential damages, so the above limitation or exclusion may not apply to you.

No employee, distributor, dealer, representative, or other person has the authority to modify any term or condition contained in this Limited Warranty or to grant any other warranty on behalf of or binding on the Manufacturer, and anyone's attempt to do so will be null and void.

Buyer should be prepared to verify the **date and location of installation** to the satisfaction of the Manufacturer. The rights and obligations of the Manufacturer and Buyer under this Limited Warranty will be governed by the laws of the State of Ohio, USA, to the extent permitted by law.

This Limited Warranty gives you specific legal rights and you may also have other rights, which may vary from State to State.

**Thank you for purchasing a
Wayne-Dalton Corp.
Storm Protection Product
www.wayne-dalton.com**